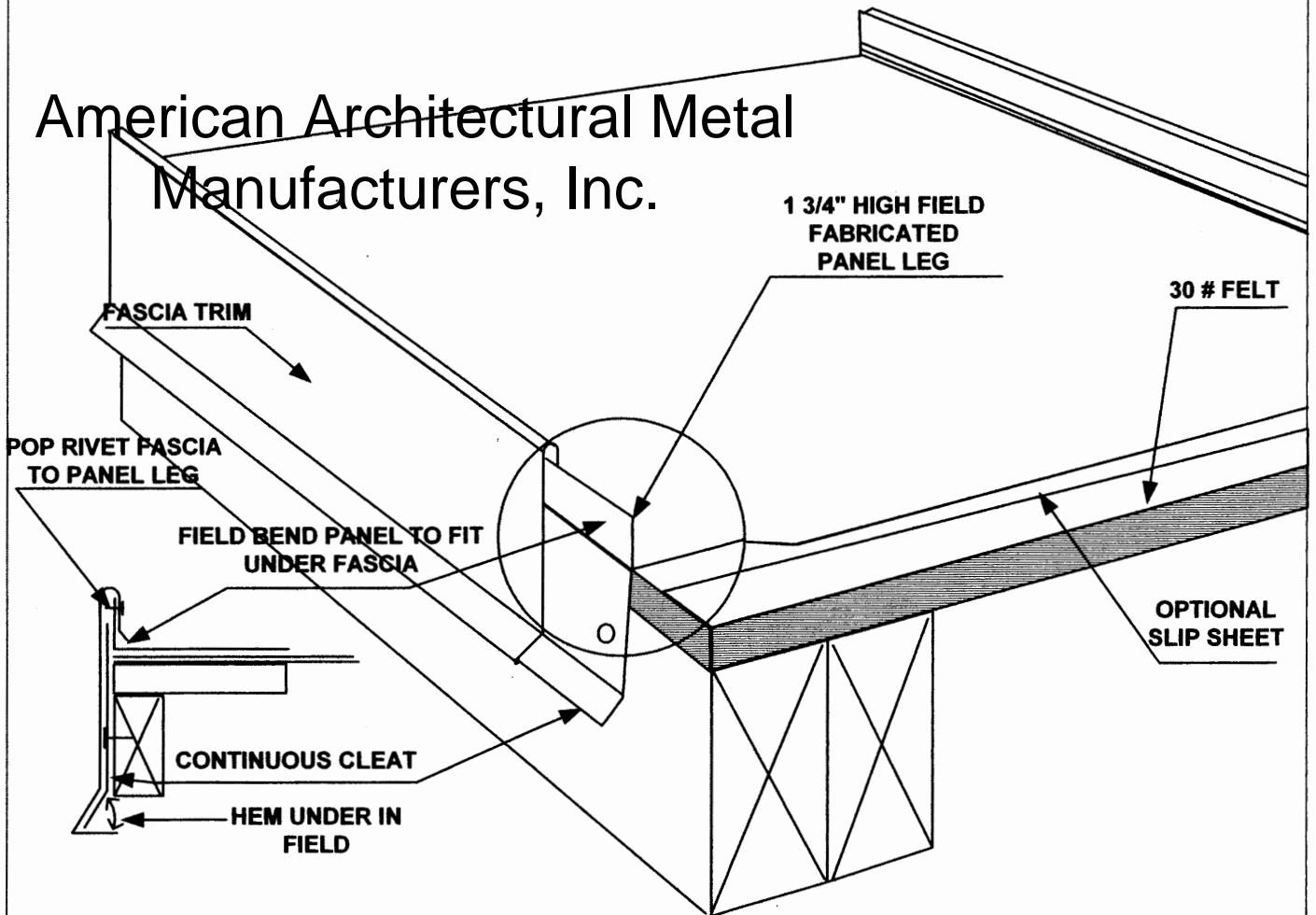


American Architectural Metal Manufacturers, Inc.



PROJECT NAME:

DATE:

INSTALLER:

DISTRIBUTOR:



**EAGLE
METAL
ROOFING
SYSTEMS**

**RESIDENTIAL
GABLE DETAIL**