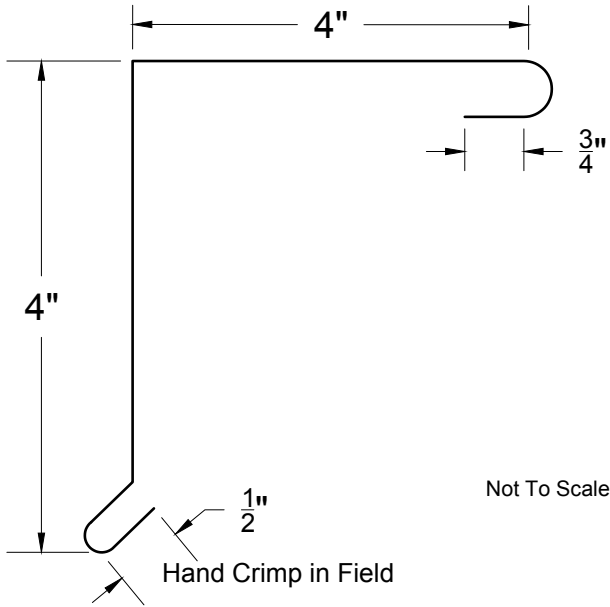
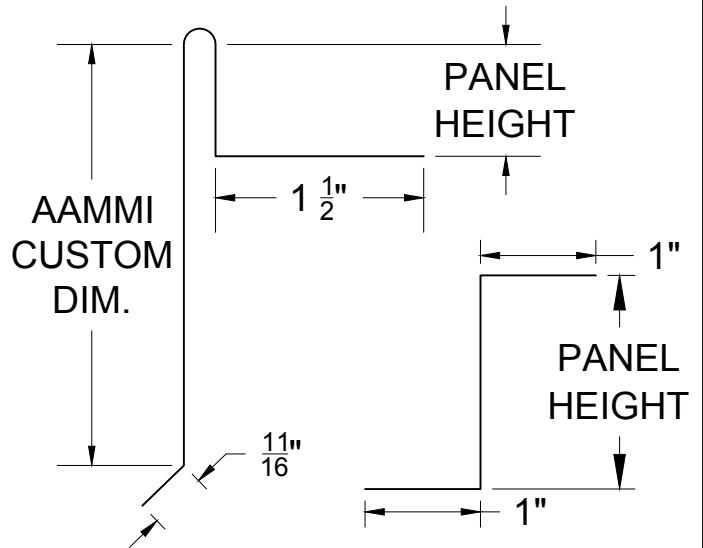
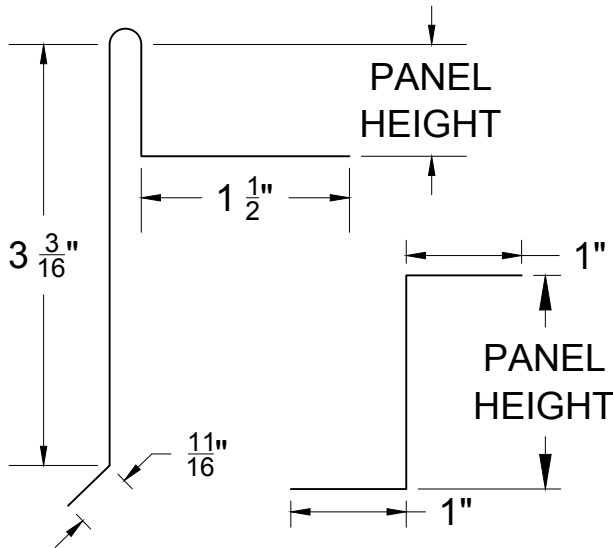
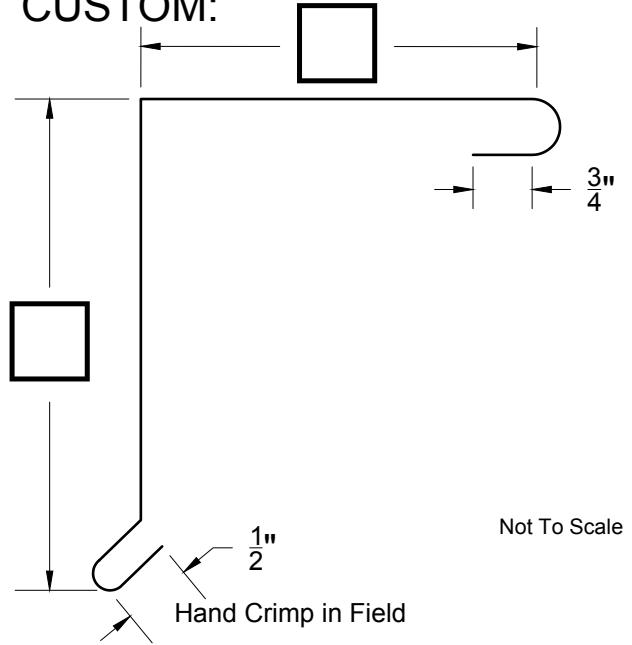


STANDARD:



CUSTOM:



MATERIAL:

- 24 Ga. Galv. Steel
- 22 Ga. Galv. Steel
- .032" Aluminum
- .040" Aluminum
- 16 Oz. Copper

Color: _____

Quantity: _____ Lineal Feet

Panel Profile: _____

DIMENSIONS:

- Standard
 - Custom
- **If Custom, please fill in blank dimensions above

Note:

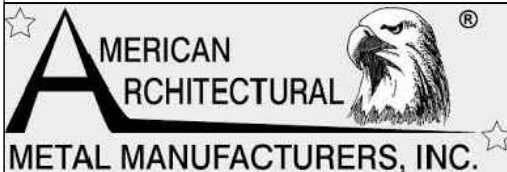
-For quoting purposes, Standard Dimensions will be used if no Custom Dimensions are given. If Custom Dimensions are needed, AAMMI will re-quote the trim based on the dimensions given at the time of order.

QUOTE:

SIGNATURE: _____

ORDER:

PO# _____



**AMERICAN ARCHITECTURAL
METAL MANUFACTURERS, INC.
EAGLE METAL ROOFING
SYSTEMS TALON LOK® PANEL
SPECIFICATIONS**

**GABLE WITH TURN IN
AND ZEE TRIM
ORDER SHEET**