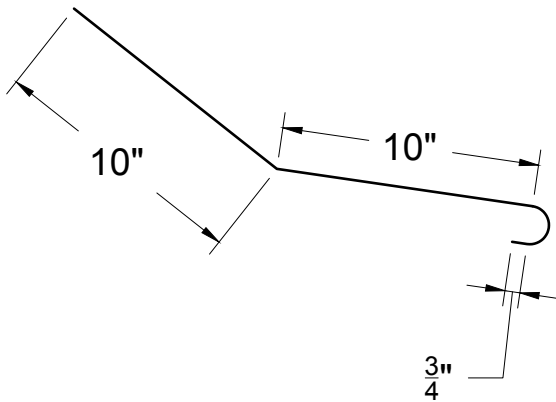
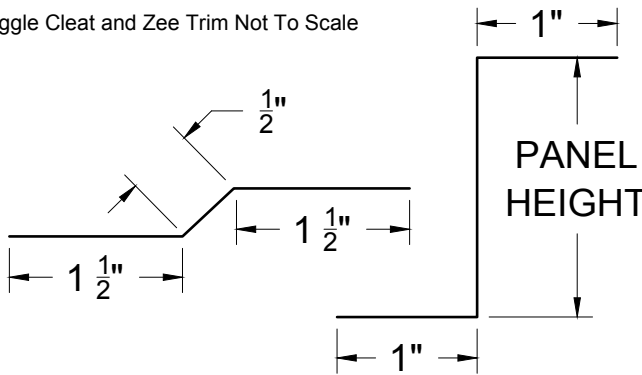


STANDARD:

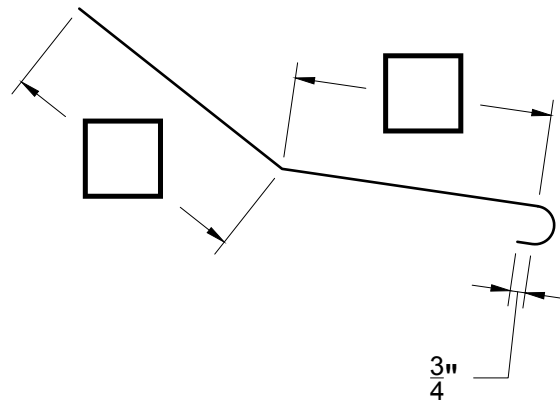


Joggle Cleat and Zee Trim Not To Scale

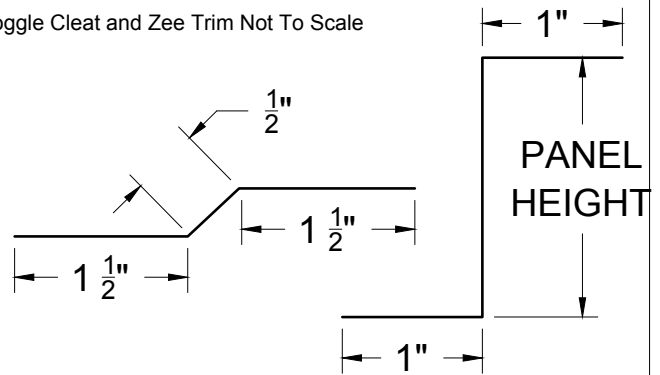


10 Lineal Feet of Joggle Cleat And Zee Trim Needed for each Piece

CUSTOM:



Joggle Cleat and Zee Trim Not To Scale



20 Lineal Feet of Joggle Cleat Needed for each Trim Piece

MATERIAL:

- 24 Ga. Galv. Steel
- 22 Ga. Galv. Steel
- .032" Aluminum
- .040" Aluminum
- 16 Oz. Copper

Roof Pitch: _____ TO _____

Color: _____

Quantity: _____ Lineal Feet

Panel Profile: _____

DIMENSIONS:

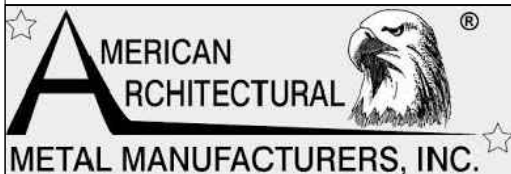
- Standard
 - Custom
- **If Custom, please fill in blank dimensions above

For quoting purposes, Standard Dimensions will be used if no Custom Dimensions are given. If Custom Dimensions are needed, AAMMI will re-quote the trim based on the dimensions given at the time of order.

QUOTE:

SIGNATURE: _____

ORDER: PO# _____



**AMERICAN ARCHITECTURAL METAL MANUFACTURERS, INC.
EAGLE METAL ROOFING SYSTEMS TALON LOK® PANEL SPECIFICATIONS**

METAL ROOF PITCH BREAK ORDER SHEET