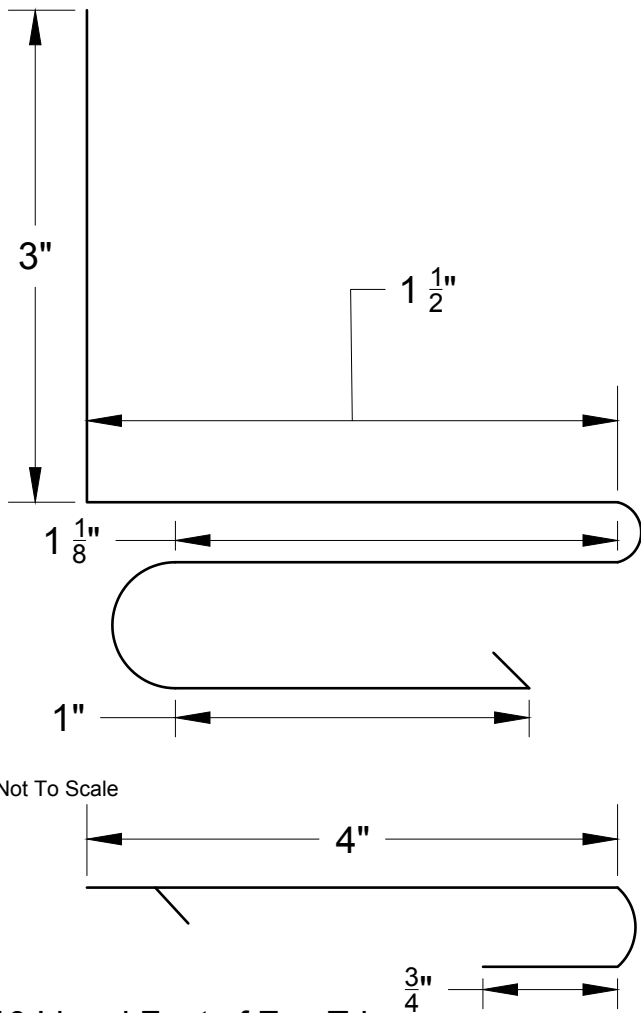
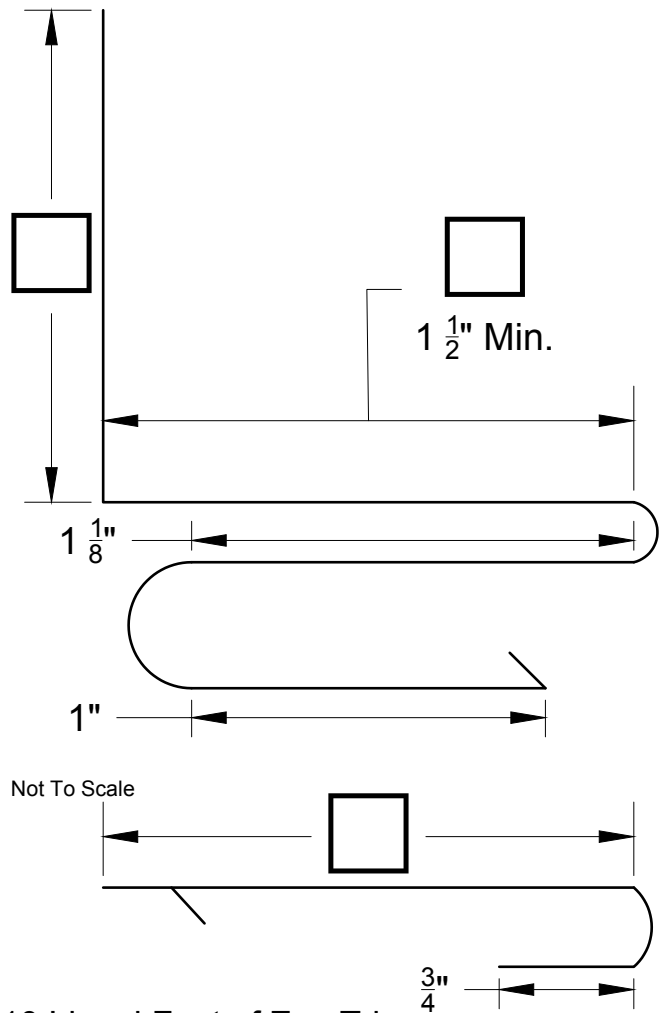


**STANDARD:**



10 Lineal Feet of Zee Trim  
Needed for each Trim Piece

**CUSTOM:**



10 Lineal Feet of Zee Trim  
Needed for each Trim Piece

**MATERIAL:**

- 24 Ga. Galv. Steel
- 22 Ga. Galv. Steel
- .032" Aluminum
- .040" Aluminum
- 16 Oz. Copper

Roof Pitch: \_\_\_\_\_

Color: \_\_\_\_\_

Quantity: \_\_\_\_\_ Lineal Feet

Panel Profile: \_\_\_\_\_

**DIMENSIONS:**

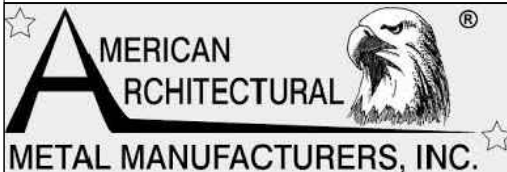
- Standard
  - Custom
- \*\*If Custom, please fill in blank dimensions above

For quoting purposes, Standard Dimensions will be used if no Custom Dimensions are given. If Custom Dimensions are needed, AAMMI will re-quote the trim based on the dimensions given at the time of order.

QUOTE:

SIGNATURE: \_\_\_\_\_

ORDER:  PO# \_\_\_\_\_



**AMERICAN ARCHITECTURAL METAL MANUFACTURERS, INC.  
EAGLE METAL ROOFING SYSTEMS TALON LOK® PANEL SPECIFICATIONS**

**SIDEWALL SNAP IN WITH DRYVIT ORDER SHEET**