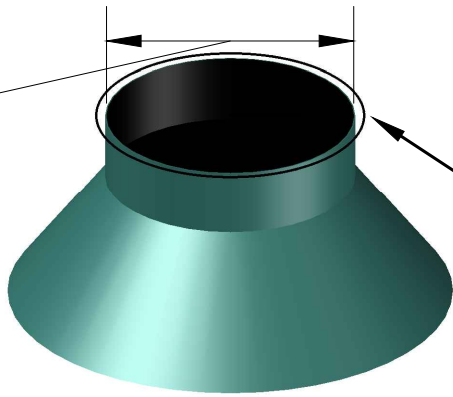
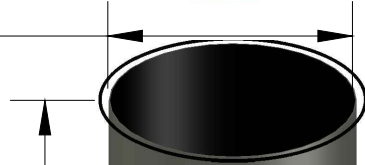




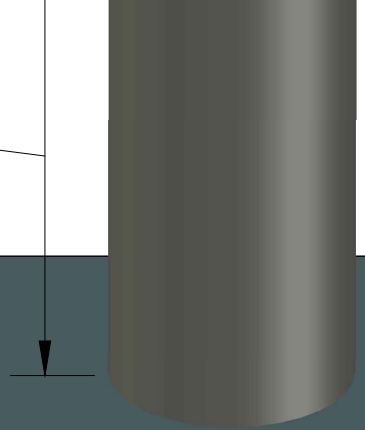
DIA



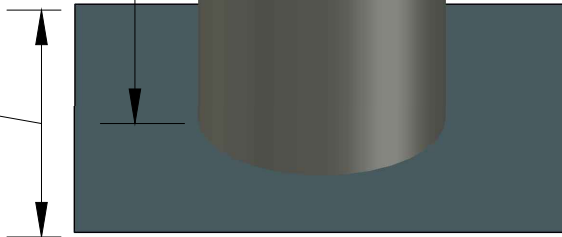
DIA



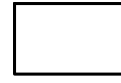
H



BASE LENGTH



BASE WIDTH



CIRCUMFERENCE MEASUREMENT

MATERIAL:

- 16 Oz. Copper
- 16 Oz. Lead Coated Copper
- 24 Ga. Bare Galv. Steel
- 24 Ga. Stainless Steel
- 26 Ga. Stainless Steel
- .032 Aluminum Mill Finish
- .040 Aluminum Mill Finish

Color: \_\_\_\_\_

QUANTITY:

#: \_\_\_\_\_

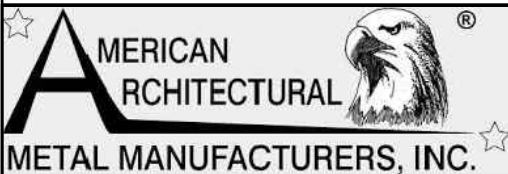
PROJECT NAME:

QUOTE:

ORDER:  PO# \_\_\_\_\_

INSTALLER:

SIGNATURE



CUSTOM FABRICATION

LEVEL TUBE AND FLANGE WITH SKIRT