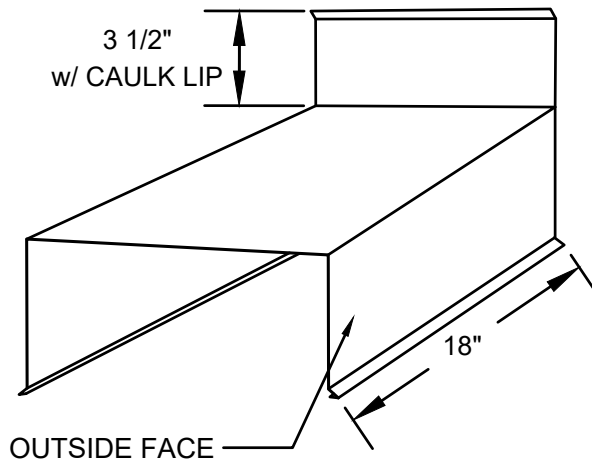


LEFT END



RIGHT END

DIRECTION IS DETERMINED AS SEEN FROM GROUND

MATERIAL:

- 24 Ga. Galv. Steel
- 22 Ga. Galv. Steel
- .040" Aluminum
- .050" Aluminum
- .063" Aluminum
- OTHER MATERIAL: _____

COLOR: _____

FINISH: _____

QUANTITY:

___ LEFT END ___ RIGHT END

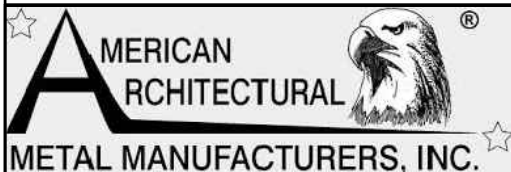
PROJECT NAME:

QUOTE:

ORDER: PO# _____

INSTALLER:

SIGNATURE



EAGLE PERIMETER EDGE SYSTEMS

COPING END WALL ORDER SHEET