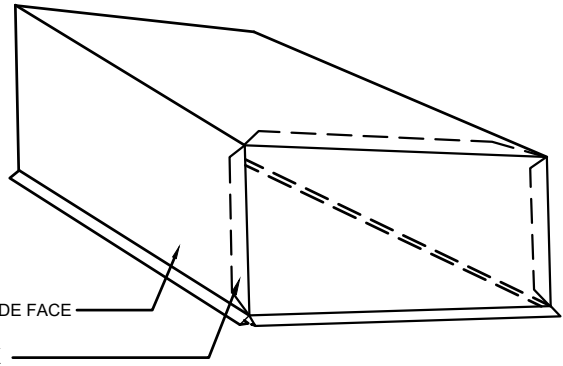


LEFT END CAP



RIGHT END CAP

**DIRECTION IS DETERMINED AS SEEN FROM GROUND**

**MATERIAL:**

- 24 Ga. Galv. Steel
  - 22 Ga. Galv. Steel
  - .032" Aluminum
  - .040" Aluminum
  - .050" Aluminum
  - .063" Aluminum
- OTHER MATERIAL: \_\_\_\_\_

COLOR: \_\_\_\_\_

FINISH: \_\_\_\_\_

**QUANTITY:**

\_\_\_ LEFT END CAP

\_\_\_ RIGHT END CAP

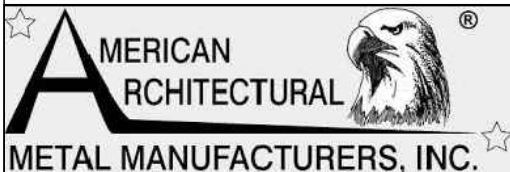
PROJECT NAME:

QUOTE:

ORDER:  PO# \_\_\_\_\_

INSTALLER:

SIGNATURE



**EAGLE PERIMETER EDGE SYSTEMS**

**COPING END CAPS ORDER SHEET**