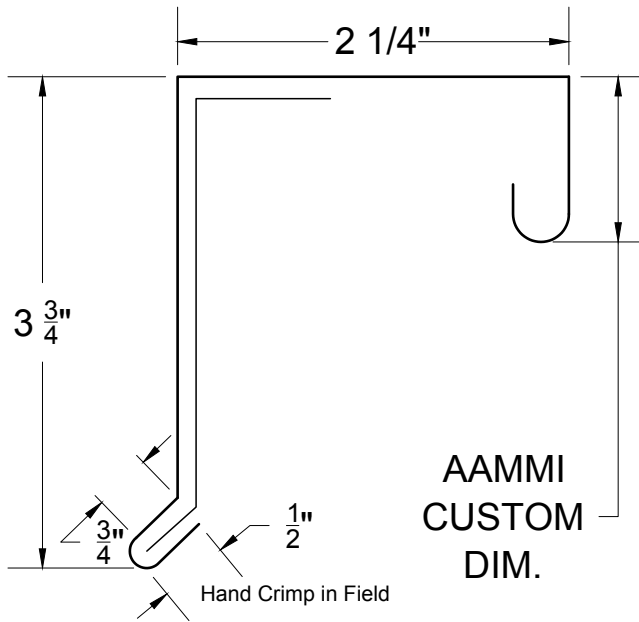
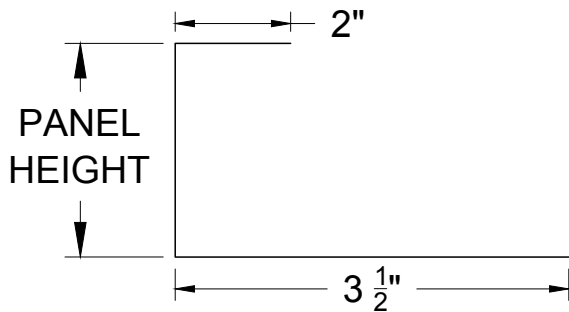


**STANDARD:**

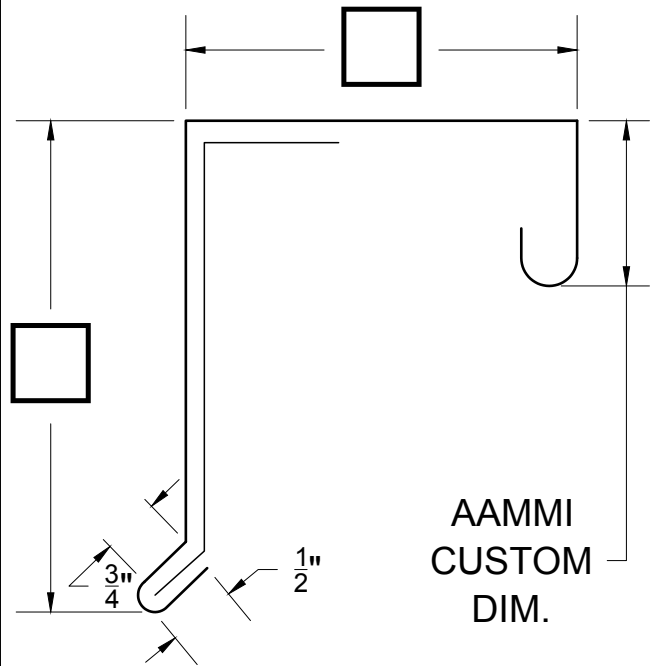


AAMMI  
CUSTOM  
DIM.

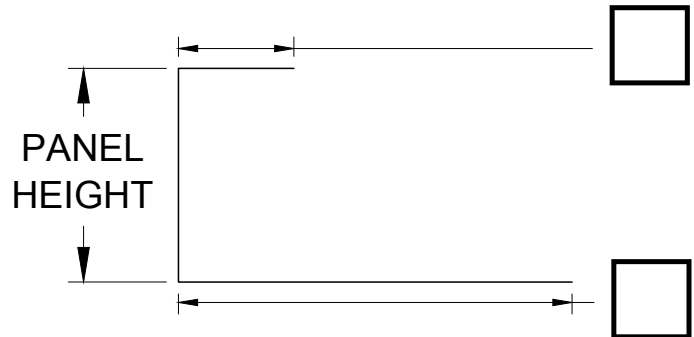
J Channel Not To Scale



**CUSTOM:**



J Channel Not To Scale



**MATERIAL:**

- 24 Ga. Galv. Steel
- 22 Ga. Galv. Steel
- .032" Aluminum
- .040" Aluminum
- 16 Oz. Copper

Color: \_\_\_\_\_

Quantity: \_\_\_\_\_ Lineal Feet

Panel Profile: \_\_\_\_\_

**DIMENSIONS:**

- Standard
  - Custom
- \*\*If Custom, please fill in blank dimensions above

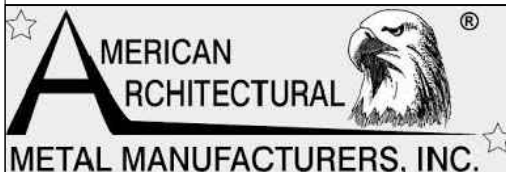
**Note:**

-For quoting purposes, Standard Dimensions will be used if no Custom Dimensions are given. If Custom Dimensions are needed, AAMMI will re-quote the trim based on the dimensions given at the time of order.

QUOTE:

SIGNATURE: \_\_\_\_\_

ORDER:  PO# \_\_\_\_\_



**AMERICAN ARCHITECTURAL  
METAL MANUFACTURERS, INC.  
EAGLE METAL ROOFING  
SYSTEMS TALON LOK® PANEL  
SPECIFICATIONS**

**COMMERCIAL GABLE TRIM WITH  
J CHANNEL WITH TURN DOWN  
ORDER SHEET**